



Heavy-duty Sloped Plate

BAGGAGE CAROUSEL

Carousel Features:

- *Quiet Operation*
- *Modular Construction*
- *Design Flexibility*
- *Minimal Maintenance*
- *Functional Design*



Jervis B. Webb Company

MATERIAL HANDLING SYSTEM SPECIALISTS

Airport Systems Group





Heavy-duty Sloped Plate

BAGGAGE CAROUSEL

Our products are among the finest in the industry because we listen to your input...then combine basic engineering principles and innovative concepts to produce reliable system solutions.

Jervis B. Webb Company has designed a heavy-duty sloped plate baggage carousel with the features and durability that the baggage industry demands. It is designed for continuous, quiet operation with minimum maintenance.

The Webb Baggage Carousel offers features that set it apart from other carousels:



Smooth, Quiet Operation: All pallets are mounted on wheels constructed from a high density polymer which provides outstanding durability as well as near silent operation.

Safety Features: Each sloped plate carousel can be equipped with audio and visual safety signals, emergency E-stop buttons, and operator friendly control panels. Electronic soft-start and overload protection are included in the carousel control package. The luggage bumpers minimize impact damage to the baggage while providing a safe, smooth interface between the carousel's frame and the moving pallets.

Modular Construction: Pre-fabricated and pre-assembled at the factory. Once onsite, the unit can be assembled with a minimum of inconvenience to other airport operations. Bolt together construction and independent leveling legs helps ensure a quick and professional installation.

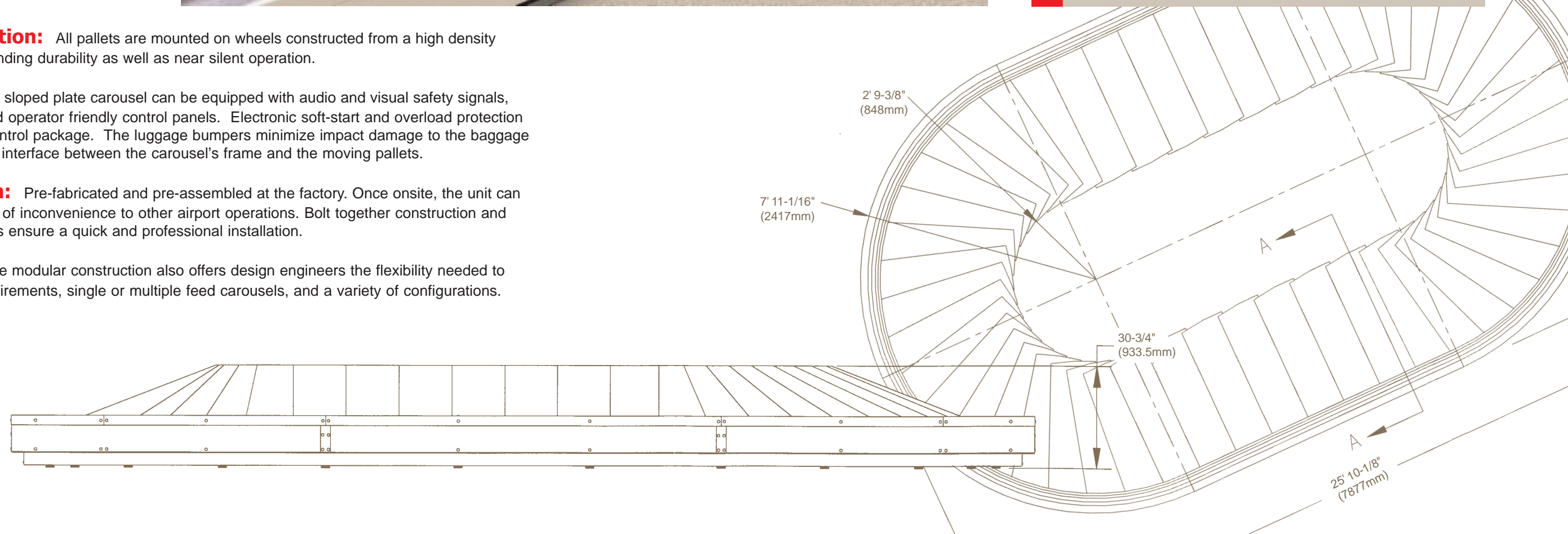
Design Flexibility: The modular construction also offers design engineers the flexibility needed to accommodate tight space requirements, single or multiple feed carousels, and a variety of configurations.

Minimal Maintenance: The Webb Sloped Plate Carousel is designed to provide years of operation with a minimum of maintenance downtime. All lubrication fittings are readily accessible. Service to the caterpillar drive, drive chain and pallet wheels is accomplished by removing a single maintenance panel, making component part replacement easy.

Finish Design: Our baggage claim carousels feature guards and trim pieces constructed from stainless steel. The top cover trim pieces can accommodate 3/4" plywood decking or other material as specified by the architect. Long wearing powder coated pallets are available to compliment the facility's interior design.

Mechanical Specifications

Width of conveying surface	approx. 58" (1473mm)
Carrying capacity	200 lbs/ft (248.72kg/m)
Speed	90 FPM (27.432mpm)
Drive type	caterpillar chain drive
Chain type	double pitch RC80
Wheel	polyurethane 90-100A durometer
Turn Radius Inside	2' 9-3/8" (848mm)
Turn Radius Outside	7' 11-1/16" (2417mm)
Height of deck	30-3/4" (933.5mm)
Height of kick panel	15-5/8" (397mm)
Angle	22-1/2°



WEBB BAGGAGE CAROUSEL

Our team of Airport Systems Group professionals oversee all aspects of our projects, from initial concept and planning to final commissioning. We offer comprehensive operations and maintenance training, system documentation, technical product assistance and preventative maintenance programs help to ensure that your current and future needs are met.

In addition, our Webb Airport Services group provides full service maintenance, repair, and product warranty programs for:

- *baggage handling systems*
- *passenger boarding bridges*
- *ground support equipment*
- *general building services*

confirming our continued commitment to the airport industry.



Jervis B. Webb Company

MATERIAL HANDLING SYSTEM SPECIALISTS



Airport Systems Group

34375 West Twelve Mile Road
Farmington Hills, MI 48331-5624 USA
1-248-553-1220 Fax: 1-248-553-1228
www.jervisbwebb.com
E-mail: info@jerviswebb.com